



Installation Instructions

Front 4x4 Differential Drop Kit with Skid Plate Spacers for 2005+ Tacoma, 2003+ 4Runner, 2007+ FJ Cruiser, 2007+ Tundra

	NOTICE Read instructions completely before installing this product. Refer back to the instructions frequently during installation.		CAUTION Flying Object Hazard. Fluid Splash Hazard. Wear safety glasses at all times when working on vehicle.
---	--	--	--

Caution

1. Read all instructions completely and carefully before you begin. If anything is not clear, please call our tech support line at (541) 474-2879 or e-mail support@wheelersoffroad.com before proceeding.
2. Check to make sure the kit is complete and that no parts are missing. If anything is missing, please contact Wheeler's at (541) 474-2879 or e-mail support@wheelersoffroad.com.
3. Park vehicle on a clean, dry, flat, level surface and block the tires so the vehicle cannot roll in either direction.
4. This product is for off-road use only. It is recommended that the installation steps below be performed by a competent mechanic. Buyers and users of this product hereby expressly assume all risks associated with the installation and use of this product.
5. This installation is typical for most vehicles. Some years or models may vary. If necessary, refer to the proper Factory Service Manual for the year and model of your vehicle.

 **WARNING**
Cancer and Reproductive Harm –
www.P65Warnings.ca.gov

Wheeler's Off-Road, Inc.

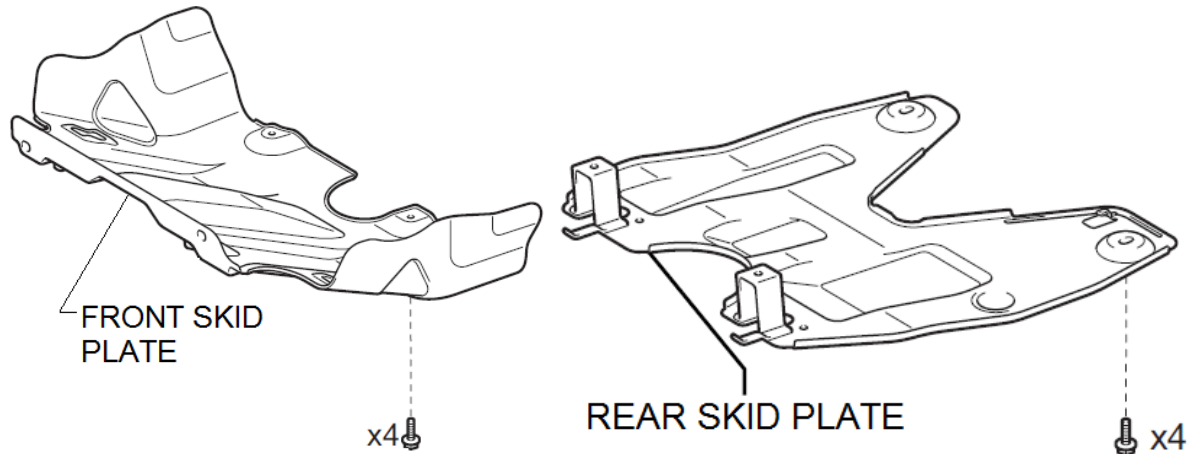
Phone: (541) 474-2879

e-mail: support@wheelersoffroad.com

WOR-307196

Installation Instructions

1. Recommended tools: ratchet & socket set, combination wrench set, torque wrench, and floor jack or jack stand.
2. Park vehicle on a clean, dry, flat, level surface and block the tires so the vehicle cannot roll in either direction.
3. Using a 12mm socket, remove the (4) M8 bolts holding the Front Skid Plate to the Vehicle. Using the same 12mm socket, remove the (4) M8 bolts holding the Rear Skid Plate to the Vehicle. Save both Skid Plates and (4) of the stock M8 bolts for reinstallation. Discard the other (4) stock M8 bolts



4. Place a floor jack or jack stand under the differential to support the differential.



Wheeler's Off-Road, Inc.

Phone: (541) 474-2879

e-mail: support@wheelersoffroad.com

WOR-307196

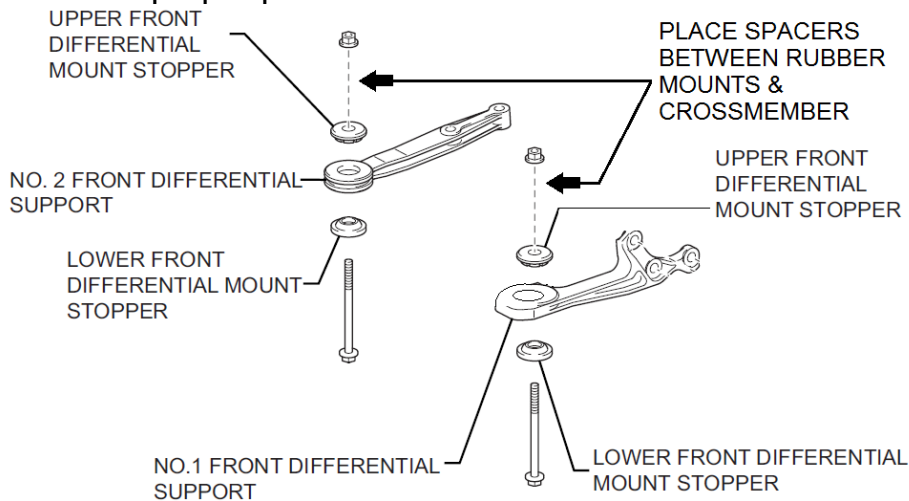
- Unbolt the (2) M14 bolts & nuts that secure the differential mount to the crossmember. Save the rubber OEM mounts for reinstallation. Discard the (2) M14 bolts & nuts.



- Lower the differential and install one of the 1" tall spacers between the rubber OEM mount and the crossmember.



- Loosely install the provided 1/2-20 x 6" bolt, washer, and Toplock nut to secure the differential mount and spacer to the crossmember. Make sure that the rubber OEM mounts are in the proper position.



Wheeler's Off-Road, Inc.

Phone: (541) 474-2879

e-mail: support@wheelersoffroad.com

WOR-307196

8. Repeat Steps 6 & 7 for the other differential mount.
9. Using a $\frac{3}{4}$ " socket and wrench, tighten the (2) $\frac{1}{2}$ -20 x 6" bolts to 77 ft-lbs of torque. Remove the floor jack or jack stand from the differential.
10. Using 12mm & 13mm sockets, reinstall the Front Skid Plate using the (2) stock M8 bolts in the front and (2) of the new M8 bolts, washers, and $\frac{1}{2}$ " tall spacers in the rear. Tighten all (4) bolts to 22 ft-lbs of torque or to the torque value specified in the Toyota Tacoma Factory Service Manual.



11. Using 12mm & 13mm sockets, reinstall the Rear Skid Plate using the other (2) new M8 bolts, washers, and $\frac{1}{2}$ " tall spacers in the front & the other (2) stock M8 bolts on the rear of the Rear Skid Plate. Tighten all (4) bolts to 22 ft-lbs of torque or to the torque value specified in the Toyota Tacoma Factory Service Manual.
12. On some years and/or models, trimming of the Skid Plate(s) may be required. Trim as needed.
13. Take the vehicle for a short test drive. After the test drive, check the torque on all of the hardware and tighten as necessary.

Wheeler's Off-Road, Inc.

Phone: (541) 474-2879

e-mail: support@wheelersoffroad.com

WOR-307196