

FITTING INSTRUCTIONS

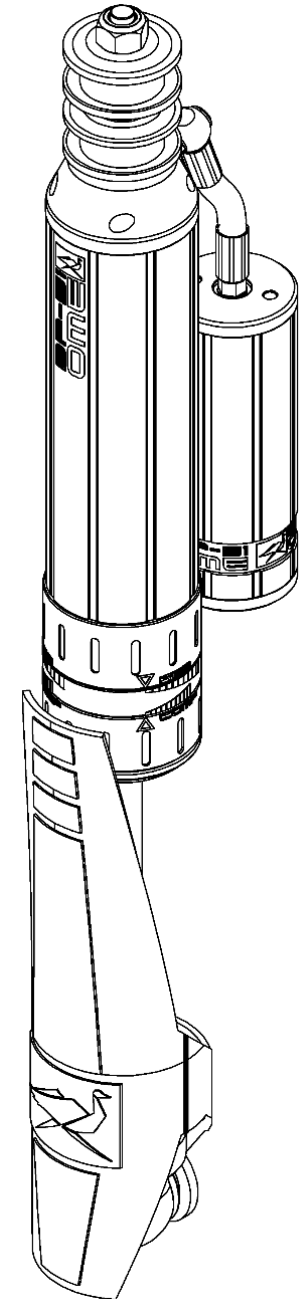
BP5160026

**TOYOTA LANDCRUISER 200 SERIES REAR
(KDSS MODELS)**

WARNING

- ◆ This product must be installed exactly as per these instructions using only the hardware supplied.
- ◆ In the event of damage to any suspension component, contact your nearest authorised ARB stockist. Repairs or modifications to the suspension system components must not be attempted.
- ◆ Do not use this product for any vehicle make or model, other than those specified by ARB.
- ◆ Do not remove labels from suspension components.
- ◆ This product or its fixing must not be modified in any way.
- ◆ The installation of this product may require the use of specialized tools and/or techniques
- ◆ It is recommended that this product is only installed by trained personnel
- ◆ These instructions are correct as at the publication date. ARB Corporation Ltd. cannot be held responsible for the impact of any changes subsequently made by the vehicle manufacturer
- ◆ During installation, it is the duty of the installer to check correct operation/clearances of all components
- ◆ Work safely at all times

Note: These fitting instructions should be read in conjunction with the vehicle workshop manual.



FITTING KIT CONTENTS – VM80010005

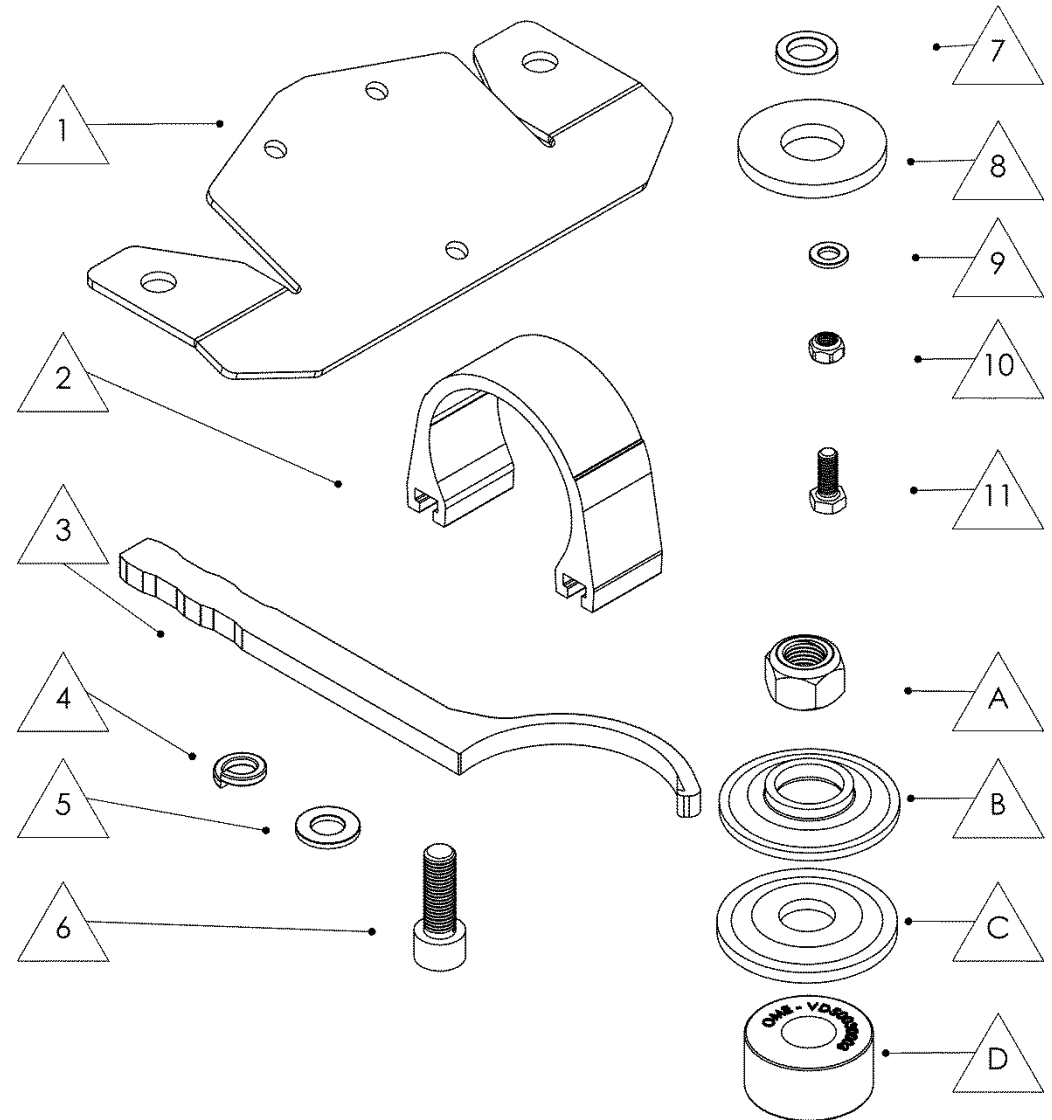
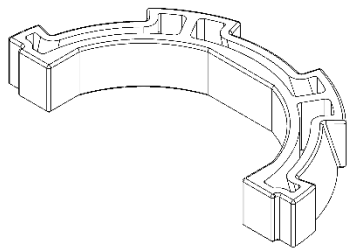
Item	Description	Qty.	Spare Part No.
1	RESI MOUNT LC200 REAR (KDSS)	2	VE10020018SP
2	RESERVOIR SADDLE	2	VE10010003SP
3	ADJUSTER TOOL	1	VC10010071SP
4	WASHER SPRING M10 BLACK	4	45812928SP
5	WASHER M10 BLACK	4	VE70020003SP
6	SHCS M10x1.25x30mm	4	VD60020003SP
7	WASHER ID12 OD19 T3	2	VE70020001SP
8	WASHER ID19 OD46 T5	2	VE70020010SP
9	WASHER M6 BLACK	4	VE70020005SP
10	NUT M6 NYLOC	4	VD60010003SP
11	BOLT M6x1.0X16	4	VD60030003SP

SUPPLIED WITH BP-51 DAMPER

PIN MOUNT BUSH KIT (Spare Part No. VM50010006SP)

Item	Description	Qty.	Part No.
A	NUT M14 x 1.5 NYLOC	1	VD60010007
B	WASHER LOCATING 215603	1	VF60020002
C	WASHER RETAINING 175604	3	VF60020004
D	BUSH NR 174020	2	VD50030003

SHAFT GUARD RETAINERS (Spare Part No. VD31000003SP)



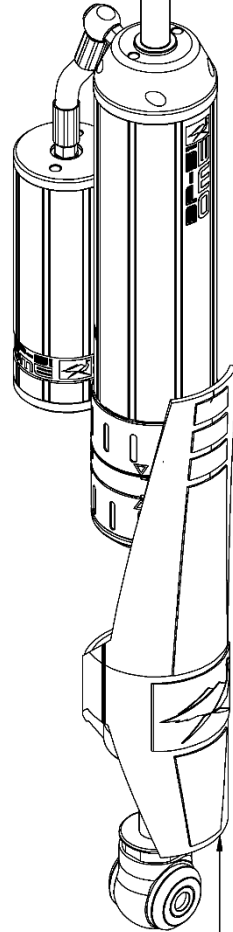
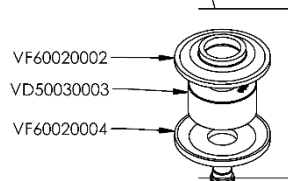
DAMPER PREPARATION

The new BP-51 needs to be prepared with mounting components before it is fitted to the vehicle.

Left and Right are the same.

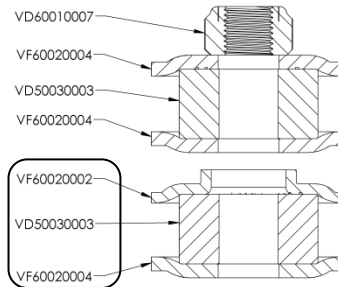
Refer to the next step for mounting the damper to the vehicle.

NEW supplied on Damper



Move shaft guard up to access bottom bolt

BUSH KIT VM50010006



Top Mount

Fit the retaining washer VF6002004, Bush VD50030003 and locating washer VF6002002 to the pin.

DAMPER MOUNTING SEQUENCE

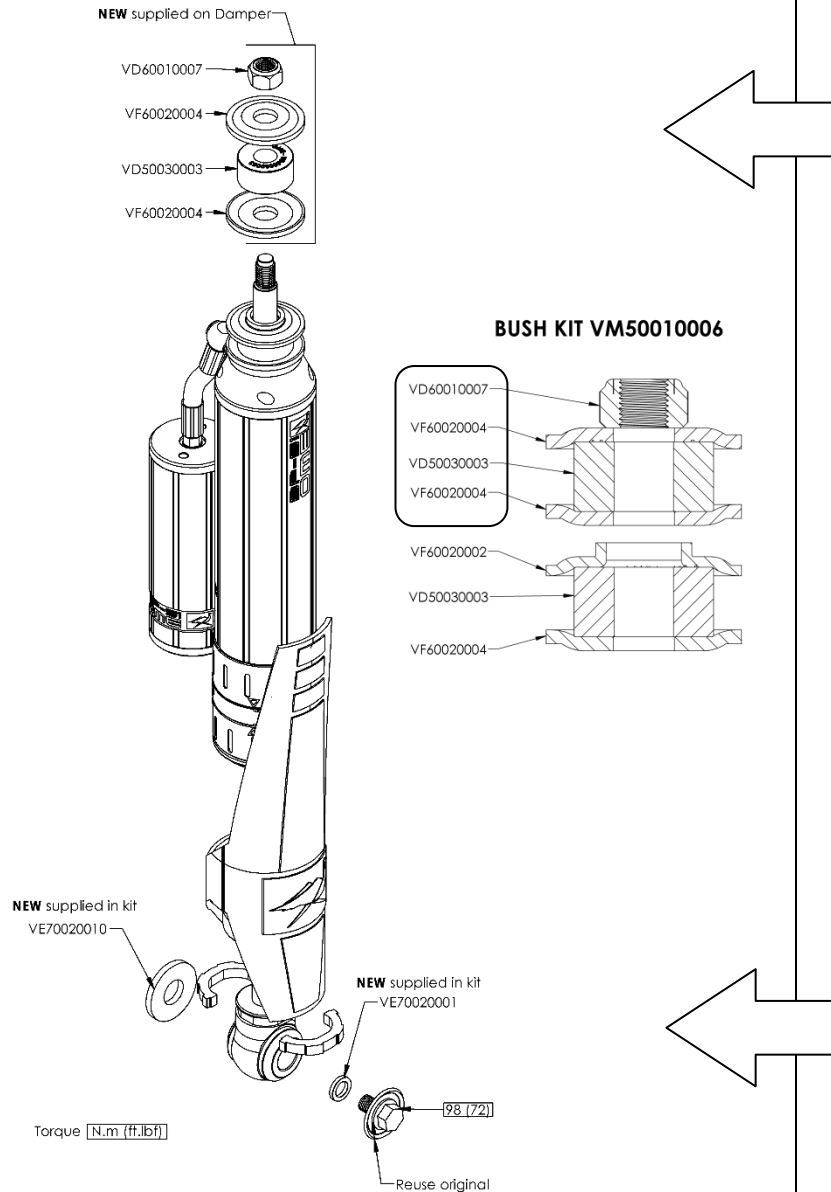
The BP-51 needs to be fitted with the suspension in droop.

Before fitting the damper fit the 5mm washer (VE70020010) to the bottom mount as shown by the diagram.

Mount the BP-51 dampers using the hardware in the sequence as shown, first the top mount then the bottom.

For the bottom mount slide the shaft guard up to access the eyelet. Fasten using original and new hardware as shown then fit the two shaft guard retainers to the eyelet and secure by firmly pulling the guard down over the retainers. Refer to next page for more detail.

Ensure all top and bottom mounting hardware is securely fastened.



Top Mount

Fit the damper to the vehicle top mount first. Fit the Retaining Washer VF60020004, Bush VD50030003, Retaining Washer VF60020004 and secure with the M14 nut VD600100007 as shown by the diagram.

Fit the top mount such that the hose leaving the damper is pointing towards the centre rear of the vehicle (towards the towbar).

Bottom Mount

Ensure the new 5mm flat washer (VE70020010) is in place then slide the guard up, fit the damper and secure with the original and new hardware as shown. Fit the two shaft guard retainers to the eyelet and secure by firmly pulling the guard down over the retainers. Refer to next page for more detail.

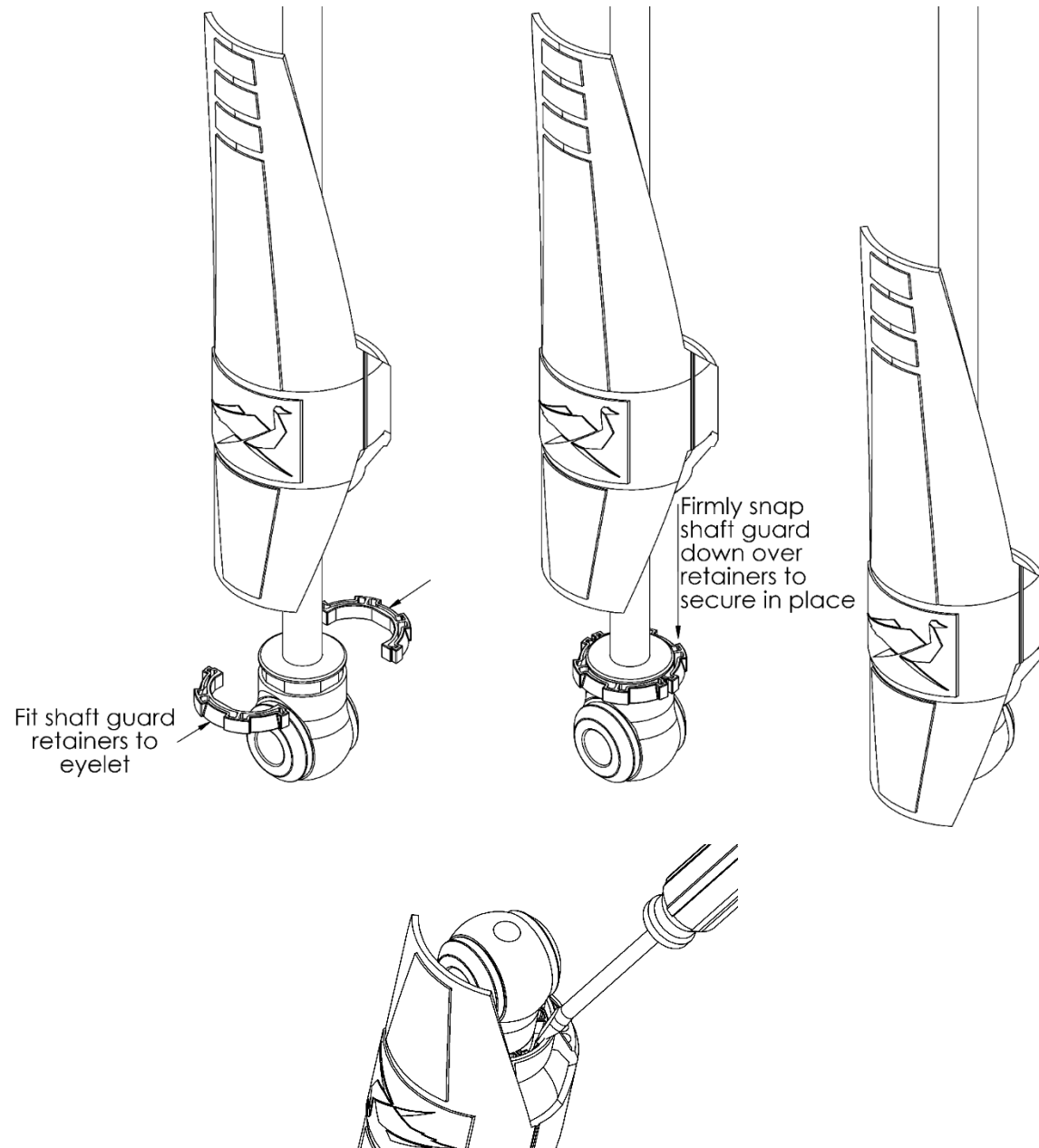
SECURING SHAFT GUARDS

The shaft guards need to be secured after the dampers are fitted to the vehicle.

Fit the two retainers to the eyelet as shown.

There are features on the shaft guard that locate in the gap between the two retainers. Align the guard with these gaps and firmly pull down over the retainers to secure in place.

Check Retainers are completely secured by guard. Use a flat blade screwdriver to poke retainer under tab on guard if required.



RESERVOIR MOUNTING SEQUENCE

Fit reservoir mounting bracket to the chassis as shown and secure using M10 x 30 x 1.25 SHCS and washers. Torque to 37 N.m (27 ft.lbf).

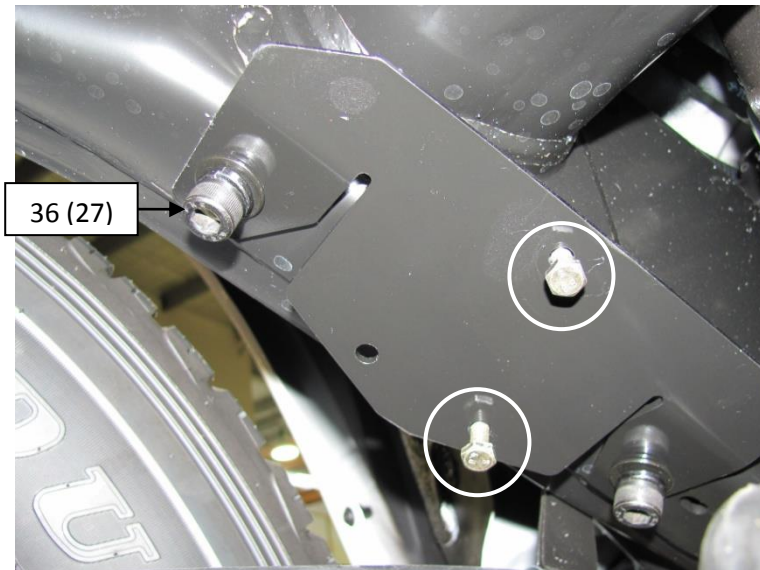
Fit M6 reservoir mounting hardware to the mounting bracket, finger tight only. On the side with 2 holes always use the hole closer to the front of the vehicle. There should be no washer on the head side of the bolt. Use the washer supplied on the nut side.

Fit the reservoir clamp to the reservoir then slide the assembly over the heads of the bolts in the bracket. The edge of the mounting clamp should be parallel with the edge of the bracket. The hose runs to the outside (the tyre side) of the body. Note position of reservoir to clamp shown by the photos as a guide.

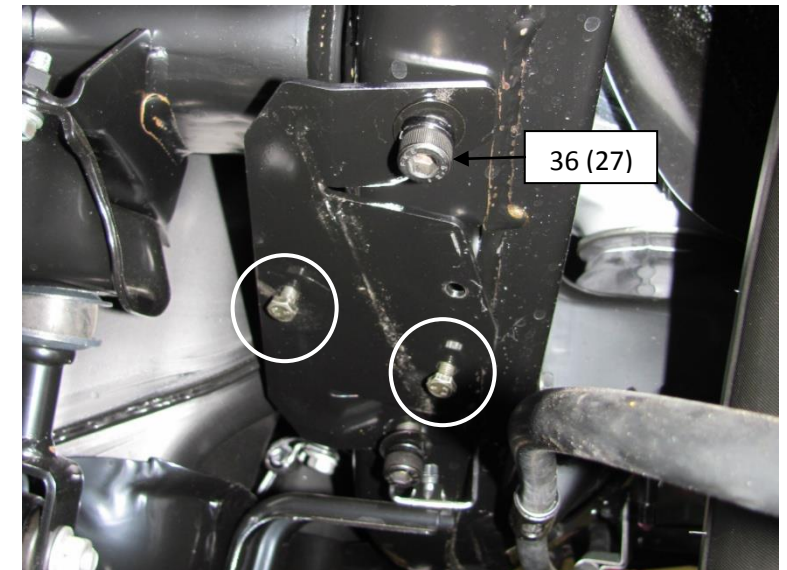
Ensure the reservoir clears the body of the damper and that the hose has a clean arc with no kinks.

Fasten hardware securely and torque where specified.

LEFT



RIGHT



SPECIFICATIONS AND SPARE PARTS

1	Spare Part: Top Bush Kit	VM50010006SP
2	Spare Part: Hose	VD80020225SP
3	Spare Part: Oil	VC30040001SP
4	Specification: Nitrogen Pressure	2000 kPa
5	Specification: Factory Rebound Setting	7
6	Specification: Factory Compression Setting	4
7	Spare Part: Valve Cap	VD30020003SP
8	Spare Part: Shaft Guard	VD31010240SP
9	Spare Part: Shaft Guard Retainer	VD31000003SP
10	Spare Part: Bottom Bush	VD50010045SP
10	Spare Part: Damper Mounting Kit	VM80010005

DAMPING ADJUSTMENT

These dampers have been set in the factory to be used for a vehicle with accessories fitted. If your load or accessory fitment differs, use the table below as a guide for recommended compression (Comp) and rebound (Reb) adjuster settings. Refer to the Owner's Manual for more information.

Rear Load	Comp	Reb
0 – 200 kg	0-4	4-8
200 – 400 kg	2-6	6-10
400 – 600 kg	4-8	6-10

